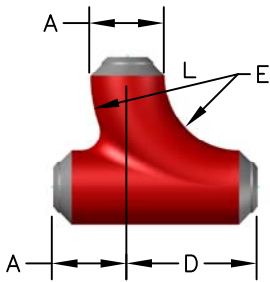


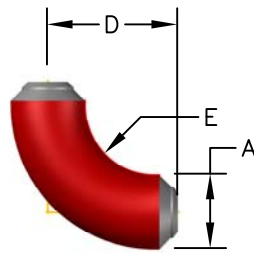
# DRILLING AND PRODUCTION RESOURCES, LLC.

9455 Baythorne Dr. Houston, Texas 77041 Ph. 713-996-7600 Fax: 713-996-7676

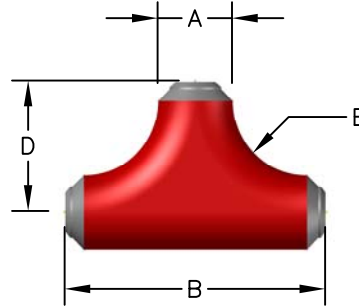
## STANDPIPE MANIFOLD FITTINGS



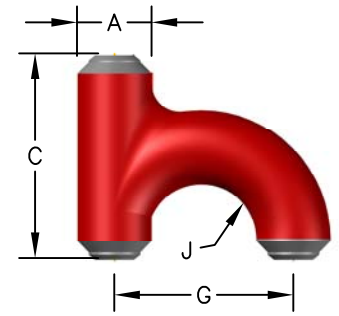
**LONG SWEEP TEE**



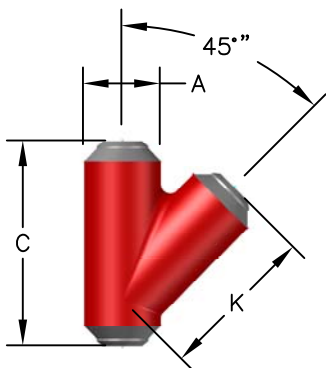
**90° LONG SWEEP ELL**



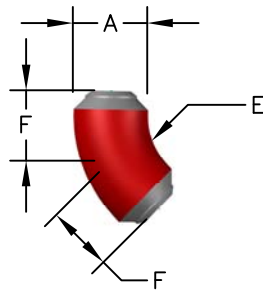
**LONG SWEEP FULL FLOW TEE**



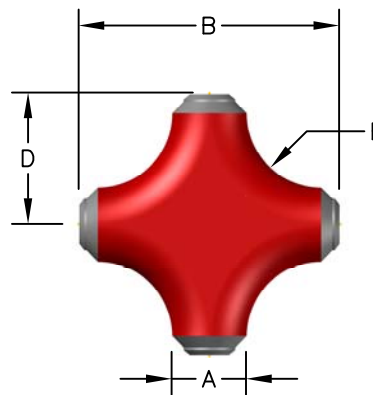
**180° STANDPIPE GOOSENECK**



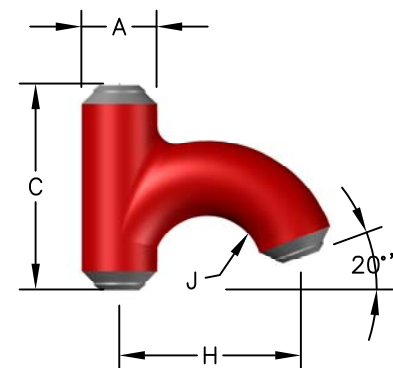
**45° LATERAL**



**45° LONG SWEEP ELL**



**LONG SWEEP FULL FLOW CROSS**



**160° STANDPIPE GOOSENECK**

**7,500 psi, 10,000 psi and 15,000 psi**

# DRILLING AND PRODUCTION RESOURCES, LLC.

9455 Baythorne Dr. Houston, Texas 77041 Ph. 713-996-7600 Fax: 713-996-7676

## DIMENSION CHART

SIZE	USE ON API SIZE	RATING	A	B	C	D	E	F	G	H	J	K	L
7"	4" & 5"	7,500 PSI	8.00"	28"	22"	14"	7.38"	7.375"	19.25"	19.50"	5.50"	17"	15.625"
** 2"-3"	2" & 3"	15,000 PSI	5.50"	22"	16"	11"	7.25"	5.875"	---	14.00"	4.70"	---	---

## FITTING WEIGHTS

SIZE	RATING	180°								LONG SWEEP TEE	
		TEE	CROSS	GOOSENECK	GOOSENECK	90° ELL	45° ELL	GOOSENECK	GOOSENECK	45° LATERAL	
7"	7,500 PSI	442 LBS	577 LBS	452 LBS	423 LBS	232 LBS	143 LBS	341 LBS	335 LBS		
2"-3"	15,000 PSI	210 LBS	550 LBS	-----	325 LBS	120 LBS	80 LBS	-----	-----		

DPR HIGH PRESSURE FULL FLOW FITTINGS are designed for operating pressures of 7,500, 10,000 & 15,000 psi.

Standard weld end preparations are compliant with the requirements of ASME B16.25 "BUTTWELDING ENDS". The fittings are designed to comply with API standards with design review certifications by ABS and DNV. DPR's standard certification consists of Material Test Reports, Surface and Volumetric NDE Reports, and Charpy Notch Toughness Reports.

The fittings are manufactured from ASME SA487 4D materials compatible with most welding processes and filler metals used in the joining of API 75K type materials. The fittings are supplied with chemistries and hardness levels that meet the requirements of NACE MR0175 for use in sour environments.

The weld end outside and inside diameters may be specified by the customer. Minimum bore for the 7" 7,500 psi fitting is 4-1/8" and the minimum bore of the 2"-3" 10,000/15,000 psi fitting is 1-1/2"

**\*\* THE LONG SWEEP TEE, 45° LATERAL AND 180° GOOSENECK ARE NOT AVAILABLE IN THIS SIZE**